

USER INSTRUCTIONS

Transmitter Configuration Kit USB Connection



The user instruction must be read prior to adjustment and/or installation.
All information subject to change without notice.

MEASURE OF SUCCESS



INOR

www.inor.com, www.inor.se

INOR Process AB, PO Box 9125, SE-200 39 Malmö, Sweden,
Phone: +46-(0)40-312560, Fax: +46-(0)40-312570, E-mail: support@inor.se

INOR Transmitter OY, Unikkotie 13, FI-01300 Vantaa, Finland,
Phone: +358-(0)10-4217900, Fax: +358-(0)10-4217901, E-mail: jari.stadig@inor.fi

INOR Transmitter GmbH, Am Bocksborn 5, D-63571 Gelnhausen, Germany,
Phone: +49-(0)6051-14807, Fax: +49-(0)6051-14806, E-mail: support.de@inor.se



This product should not be mixed with other kind of scrap, after usage.
It should be handled as an electronic/electric device.

MEASURE OF SUCCESS

GENERAL INFORMATION

ICON Configuration Kit includes all necessary software and hardware for configuration of all PC-programmable transmitters in the INOR product line from a PC's USB port, except for the Meso transmitters.

Configuration starts from the main program ConSoft. ConSoft will identify the connected transmitter and open the necessary configuration software.

ICON Configuration Kit consists of:

- USB Interface
- USB cable (connection between PC and USB Interface)
- Adapter cables (connection between USB Interface and transmitter)
- Software and drivers on a USB memory stick

Only one transmitter may be connected at a time.

The USB Interface is CE-marked and complies with the EMC-directive 2004/108/EC. For more information see the Declaration of Conformity.

ICON Configuration Kit is compatible with Windows 2000 (SP3), Windows XP (SP2+), Windows Vista and Windows 7.



When installing, do not connect the USB Interface to your USB port until prompted.



INOR USB Interface is a non Ex-approved product but is intended to be used for all type of transmitters when in safe areas.

DATA (shortform)

Input (PC to USB Interface)	USB cable
Output (USB Interface to transmitter)	Changeable adapter cables
Power Supply	PC's USB port, 5 VDC, 74 mA max
Ambient temperature	
Operation	0 to 50 °C / 32 to 122 °F
Storage	-20 to 70 °C / -4 to 140 °F
Humidity (non-condensing)	0 to 90 %RH
Galvanic isolation	1500 VAC
USB compliance	USB v1.1 and USB v2.0
System requirements	
Windows	Windows 2000 (SP3), XP (SP2+), Vista or 7.
Display resolution	Minimum 800x600
Free hard disk space	50 MB
Ports	1 free USB port

INSTALLATION

INSTALLATION OF USB INTERFACE DRIVERS

Before you can use the USB Interface you must install USB drivers on your PC. The memory stick contains the necessary USB drivers for the USB Interface. Please refer to the guide "Installation Guide for ICON" (86BCONF004) for installation instructions.

INSTALLATION OF CONFIGURATION SOFTWARE

All necessary software for configuration are included on the memory stick. Please refer to the guide "Installation Guide for ICON" (86BCONF004) for installation instructions.

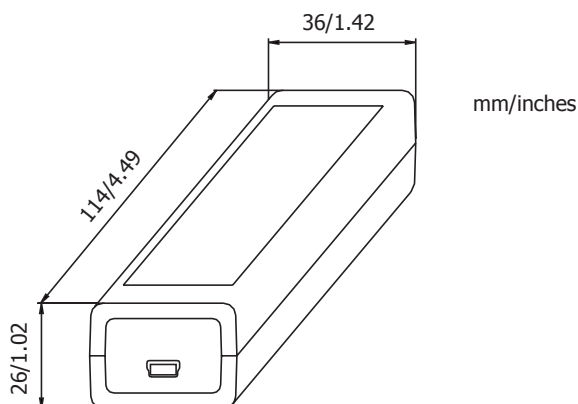
All software, USB drivers and installation guides can also be downloaded from the website www.inor.com

DESCRIPTION USB INTERFACE

The USB Interface is powered from the PC's USB port. There are three LED indicators on the USB Interface: "USB", "PC" and "DEV". They are indicators to make the understanding of the communication between PC and transmitter easier. Their functions are described below:

- "USB" LED indicates data transfer. It lights during data transfer, otherwise it is off.
- "PC" LED indicates connection between Configuration program and PC. When configuration is made from IPRO, MinIPAQ Soft or ProfiSoft, it is green when the configuration program is open. With all other configuration programs it is green only during reading or writing to transmitter.
- "DEV" LED indicates the transmitter connection status. If it's green, the connected transmitter is detected by the USB Interface. Flashing green indicates that the USB Interface is waiting for a new transmitter from the same product family, e.g. changing to a new device. When it's red no transmitter is detected by the USB Interface and any sort of transmitter can be connected to the USB Interface.

USB INTERFACE DIMENSIONS



LIMITED WARRANTY

INOR Process AB, or any other affiliated company within the Inor Group (hereinafter jointly referred to as "Inor"), hereby warrants that the Product will be free from defects in materials or workmanship for a period of five (5) years from the date of delivery ("Limited Warranty"). This Limited Warranty is limited to repair or replacement at Inor's option and is effective only for the first end-user of the Product. Upon receipt of a warranty claim, Inor shall respond within a reasonable time period as to its decision concerning:

- 1 Whether Inor acknowledges its responsibility for any asserted defect in materials or workmanship; and, if so,
- 2 the appropriate cause of action to be taken (i.e. whether a defective product should be replaced or repaired by Inor).

This Limited Warranty applies only if the Product:

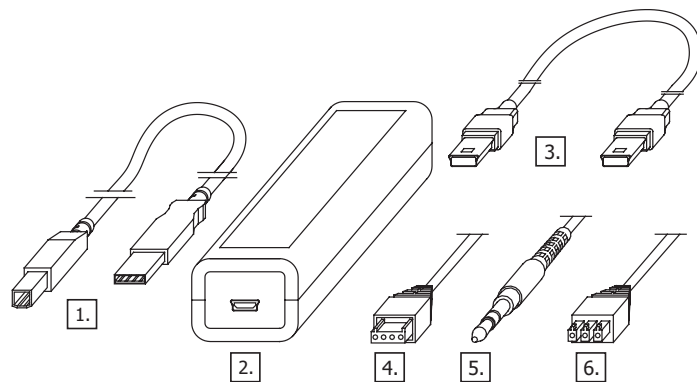
- 1 is installed according to the instructions furnished by Inor;
- 2 is connected to a proper power supply;
- 3 is not misused or abused; and
- 4 there is no evidence of tampering, mishandling, neglect, accident damage, modification or repair without the approval of Inor or damage done to the Product by anyone other than Inor.

This Limited Warranty is provided by Inor and contains the only express warranty provided.

INOR SPECIFICALLY DISCLAIMS ANY EXPRESS WARRANTY NOT PROVIDED HEREIN AND ANY IMPLIED WARRANTY, GUARANTEE OR REPRESENTATION AS TO SUITABILITY FOR ANY PARTICULAR PURPOSE, PERFORMANCE, QUALITY AND ABSENCE OF ANY HIDDEN DEFECTS, AND ANY REMEDY FOR BREACH OF CONTRACT, WHICH BUT FOR THIS PROVISION, MIGHT ARISE BY IMPLICATION, OPERATION OF LAW, CUSTOM OF TRADE OR COURSE OF DEALING, INCLUDING IMPLIED WARRANTIES OF MERCHANTABILITY AND FITNESS FOR A PARTICULAR PURPOSE. EXCEPT AS PROVIDED HEREIN, INOR FURTHER DISCLAIMS ANY RESPONSIBILITY FOR LOSSES, EXPENSES, INCONVENIENCES, SPECIAL, DIRECT, SECONDARY OR CONSEQUENTIAL DAMAGES ARISING FROM OWNERSHIP OR USE OF THE PRODUCT.

Products that are covered by the Limited Warranty will either be repaired or replaced at the option of Inor. Customer pays freight to Inor, and Inor will pay the return freight by post or other "normal" way of transport. If any other type of return freight is requested, customer pays the whole return cost.

CONTENTS



1. USB communication cable (connection between PC and USB Interface).
2. USB Interface
3. Mini USB to Mini USB adapter (USB Interface to Transmitter)
4. Mini USB to four pole rectangular connector (USB Interface to transmitter)
5. Mini USB to 3,5 mm tele plug connector (USB Interface to transmitter)
6. Mini USB to three pole rectangular connector (USB Interface to transmitter)

TRANSMITTER COMMUNICATION



The following transmitters have to be connected to a power supply before communication: IPAQ-H, IPAQ-L, IPAQ-4L, ProfIPAQ-H and ProfIPAQ-L

1. After installing the drivers for the USB interface and configuration software, connect the USB cable and the USB interface to a free USB port of your PC.
2. Connect the transmitter to the USB interface with a suitable Mini USB cable.
3. Start up the ConSoft program.
4. Click on the upper left "Read from transmitter" button. ConSoft will connect to the transmitter and open a relevant window for transmitter configuration.
5. A new transmitter can at any time be connected, without restarting ConSoft, by clicking on "Read from transmitter".

CONFIGURATION

For transmitter configuration using the ICON Configuration Kit, see User instructions for the specific transmitter.

ORDERING INFORMATION

Item	Part No.
ICON Configuration Kit	70CFGUS001