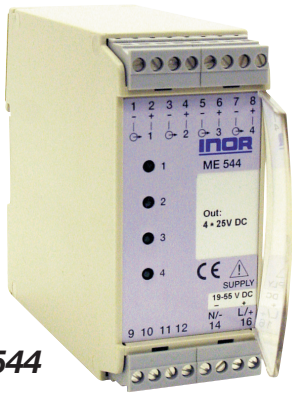


ME544

4-channel Power Supply for 2-wire Transmitters

ME544



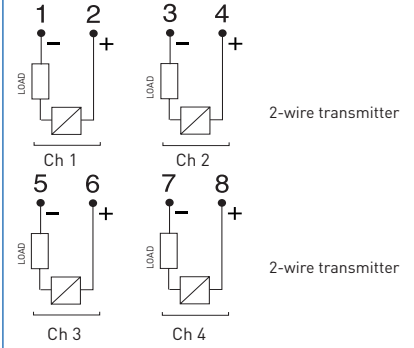
ME544 has four galvanically isolated supply channels for 2-wire transmitters. The output voltage for each channel is 25 VDC. Each channel is short-circuit protected and has a current limitation to protect measurement circuits from damage caused by short circuits or other faults. ME544 cuts the risk for measurement errors caused by earth potential differences with a number of 2-wire transmitters in the same measurement system.

- 4 galvanically isolated supply channels for 2-wire transmitters
- 25 V stabilized supply voltage
- Short-circuit safe
- Current limited to ~35 mA
- Available for AC or DC power supply
- Compact mounting on DIN rail
- Plug-in screw terminals

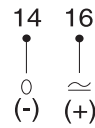
Specifications:

Supply channel 1 to 4		
Voltage	~25 VDC stabilized, short circuit protected	
Current limitation	~35 mA	
Maximum ripple	5 mV eff.	
Operation temperature	-20 to +60 °C/-4 to +140 °F	
Galvanic isolation	Between channel 1-4	1500 VAC, 1 min
	AC power supply to channel 1-4	2500 VAC, 1 min
	DC power supply to channel 1-4	1500 VAC, 1 min
Power supply	AC versions	230 VAC, -15..+10 %, 45..75 Hz
		115 VAC, -15..+10 %, 45..75 Hz
	DC version	19 to 60 VDC
Connections	Plug-in terminals	Stranded, ≤ 2.5 mm ² , AWG 14
Mounting	Rail acc. to DIN EN 50022, 35 mm	

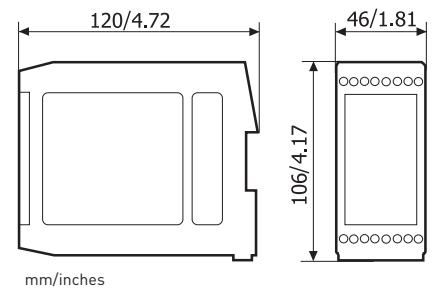
Transmitter supply



Power supply



Dimensions



Ordering information

ME544, 230 VAC	51MOE00010
ME544, 115 VAC	51MOE00112
ME544, 19-60 VDC	51MOE00011