

SR535

Alarm Unit with Pt100 Input and 4-20 mA Output



SR535



SR535 is designed for monitoring Pt100 signals in the process industry. The unit gives alarm functions for either increasing or decreasing temperatures and for certain error states. SR535 provides a temperature linear output signal, 4-20 mA, corresponding to the measurement range.

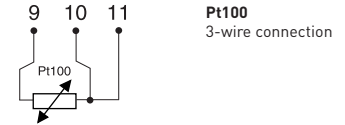
- Direct Pt100 input
- 4-20 mA output
- One temperature monitoring relay
- One error monitoring relay
- Reliable and interference free safety alarm without false alarms
- High configuration flexibility with solder jumpers
- Adjustable time delay, hysteresis and relay functions
- Available for AC or DC power supply
- DIN-rail mounting
- Plug-in screw terminals

Specifications:

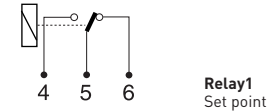
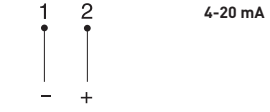
Input Pt100	acc. to IEC 60751, 3-wire connection	Range: 0-100, 0-150¹⁾ , 0-200, 0-300, 0-500 °C
Sensor current		3 mA
Output Relay 1	Temperature monitoring	1-pole switch over contact
Selectable High or Low alarm		Jumpers on PCB (standard: High)
Adjustable alarm set-point		Front 15-turn potentiometer / test connector
Selectable alarm delay		0.4 s (standard) or 2 s, changeable on PCB
Selectable hysteresis		0.5 % (standard) or 5 %, changeable on PCB
Selectable normally active or passive function		Jumpers on PCB (standard: normally active)
Output Relay 2	Error monitoring	1-pole opening contact
Fixed, normally active and opening contact		Alarm at power failure, sensor break or high input (125 %)
Output Current		4-20 mA linear to selected temperature range
Operation temperature		-20 to +60 °C / -4 to +140 °F
Galvanic isolation	Input to relay outputs	3 700 VAC, 1 min
	Input to AC power supply	3 700 VAC, 1 min
	Input to DC power supply	1 500 VAC, 1 min
	Relay outputs to power supply	3 700 VAC, 1 min
	Input to mA output	Not isolated
Power supply	AC versions	230 VAC, -15..+10 %, 45..75 Hz
	DC version	19 to 60 VDC
Typical accuracy	Trip point, mA output	± 0.1 % of span
Connections	Plug-in terminals	Stranded, ≤ 2.5 mm ² , AWG 14
Mounting		Rail acc. to DIN EN 50022, 35 mm

¹⁾factory set

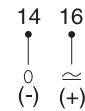
Input connections



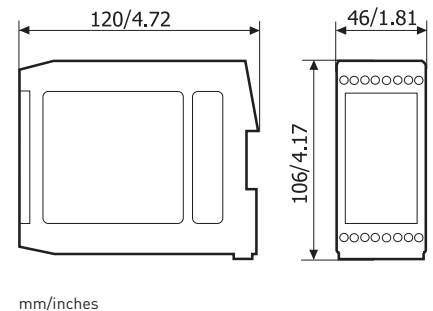
Output connections



Power supply



Dimensions



Ordering information

SR535, 0-150 °C, 230 VAC	51MOE00012
SR535, 0-150 °C, 115 VAC	51MOE00085
SR535, 0-150 °C, 19-60 VDC	51MOE00013
Configuration for other range	70CAL00003