

SR560

Dual Channel Alarm Unit for mA/V Signals

SR560



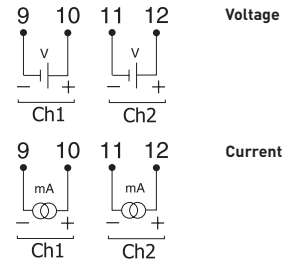
SR560 is designed for monitoring mA or V signals in the process industry. The two channels are fully independent. The SR560 is specially designed for reliable safety triggering without false alarms. High configuration flexibility allows for adaptation to required alarm functions.

- Two fully independent isolated channels
- Current and voltage input
- Reliable and interference free safety alarm without false alarms
- High configuration flexibility with solder jumpers
- Adjustable time delay, hysteresis and relay functions
- Available for AC or DC power supply
- DIN-rail mounting
- Plug-in screw terminals

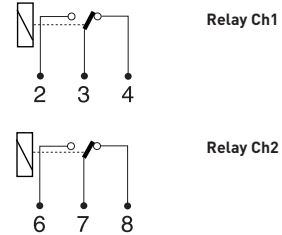
Specifications:

No. of channels	Two, independent selection of input signal	
Input Voltage	0(0.2)-1 V, 0(1)-5 V, 0(2)-10 V	
Input impedance	10 M Ω	
Input Current	0(4)-20 mA (standard setting)	
Input impedance	51 Ω	
Maximum input level	200 % of input span	
Output Relay 1 & 2	One per channel	1-pole switch over contact
Selectable High or Low alarm	Jumpers on PCB (standard: High)	
Adjustable alarm set-point	Front 15-turn potentiometers / test connectors	
Selectable alarm delay	0.4 s (standard) or 2 s, changeable on PCB	
Adjustable hysteresis	0.35 % (standard) to 80 % with front 15-turn potentiometer	
Selectable normally active or passive function	Jumpers on PCB (standard: normally active)	
Operation temperature	-20 to +60 °C / -4 to +140 °F	
Galvanic isolation	AC versions	
	Input to relay outputs	3 700 VAC, 1 min
	Input to power supply	3 700 VAC, 1 min
	Relay outputs to power supply	3 700 VAC, 1 min
	Between channels	1 500 VAC, 1 min
	DC version	
	Input to relay outputs	1 500 VAC, 1 min
	Input to power supply	1 500 VAC, 1 min
	Relay outputs to power supply	1 500 VAC, 1 min
	Between channels	1 500 VAC, 1 min
Power supply	AC versions	230 VAC, -15..+10 %, 45..75 Hz
		115 VAC, -15..+10 %, 45..75 Hz
	DC version	19 to 60 VDC
Typical accuracy	Trip point	\pm 0.1 % of span
Connections	Plug-in terminals	Stranded, \leq 2.5 mm ² , AWG 14
Mounting		Rail acc. to DIN EN 50022, 35 mm

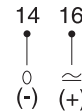
Input connections



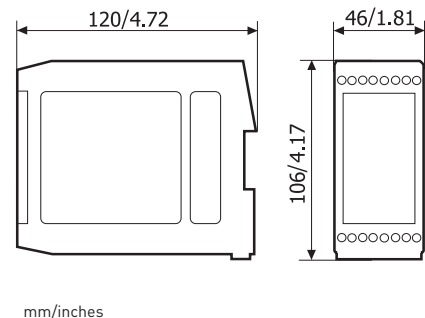
Output connections



Power supply



Dimensions



Ordering information

SR560, 0(4)-20 mA, 230 VAC	51MOE00014
SR560, 0(4)-20 mA, 115 VAC	51MOE00017
SR560, 0(4)-20 mA, 19-60 VDC	51MOE00015
Configuration for other range	70CAL00003